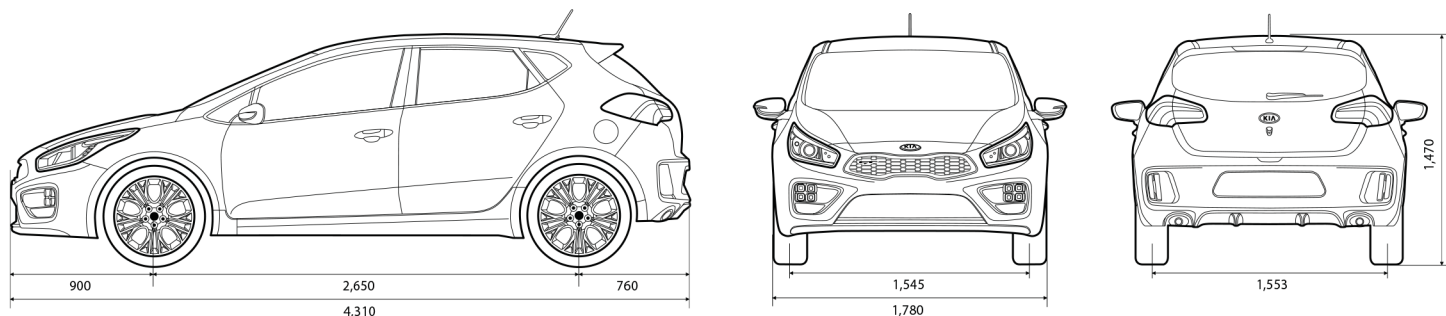


# DATA & DIMENSIONS.



## 204 HP ENGINE.

You'll like what you find: A 204 hp 1.6 Turbo GDI engine able to produce 265 Nm via the sophisticated 6-speed manual transmission, accelerate you from 0 to 100 km/h in 7.7 seconds and reach a top speed of 230 km/h.

## ENGINE PERFORMANCE.

Type:	1.6 litre	Max. torque:	265 Nm
Cylinder / Valves:	4/16	Top speed:	up to 230 km/h
Capacity:	1591 cc	0-to-100 kph:	from 7.7 sec
Power:	204 hp (150 kW)		

## PASSING ACCELERATION.

60-to-100 km/h in 4th gear:	5.4 sec
80-to-120 km/h in 5th gear:	7.3 sec
80-to-120 km/h in 6th gear:	8.8 sec



**THE NEW KIA CEE'D GT.**  
LIVE MORE LIFE.